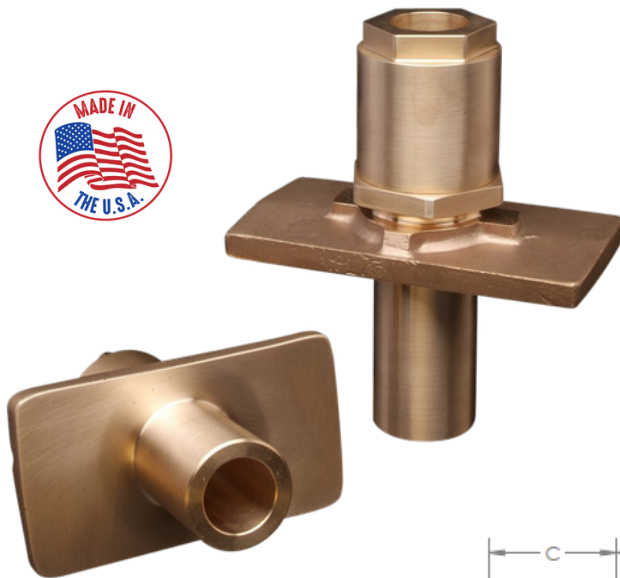
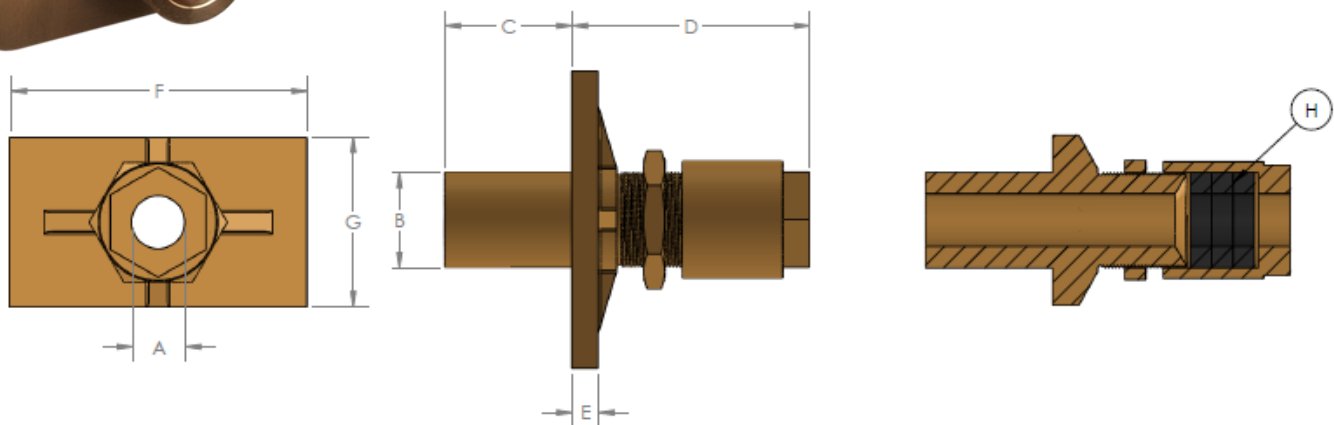


TRADITIONAL STUFFING BOXES | MP & RP SERIES



Trusted Performance - Our lock-nut style bronze stuffing boxes (*MP* and *RP Series*) are based on the traditional design professional mariners have trusted for over a century. Available in a variety of sizes and lengths, these cost effective stuffing boxes feature a robust housing and durable threads. Commonly used as rudder ports on low horsepower boats.



PART SELECTOR | SIZING GUIDE

Part Number	A Shaft Diameter	B Pilot Diameter	C Pilot Length	D Exposed Length	E Flange Thickness	F Flange Width	G Flange Length	H Packing Size
MP-1250	1-1/2"	2-1/4"	3"	5"	5/8"	4"	7-1/8"	3/8"
MP-1375	1-3/8"	2-1/4"	3"	5"	5/8"	4"	7-1/8"	3/8"
MP-1500	1-1/2"	2-1/4"	3"	5"	5/8"	4"	7-1/8"	3/8"
MP-1750	1-3/4"	2-1/2"	4-3/8"	5-1/2"	5/8"	4-3/8"	8-3/8"	1/2"
MP-2000	2"	2-3/4"	4-1/4"	5-1/2"	5/8"	4-1/2"	8"	3/8"
MP-2250	2-1/4"	3-1/4"	5"	8"	3/4"	4-5/8"	7-3/4"	1/2"
MP-2500	2-1/2"	3-1/4"	5"	8"	3/4"	4-5/8"	7-3/4"	3/8"
RP-1250-S	1-1/4"	1-3/4" to 2-1/4"	1-3/4"	5"	5/8"	5"	5"	3/8"
RP-1250-L	1-1/4"	2-1/8"	5"	5"	5/8"	5"	5"	3/8"
RP-1375-S	1-3/8"	1-3/4" to 2-1/4"	1-3/4"	5"	5/8"	5"	5"	3/8"
RP-1375-L	1-3/8"	2-1/8"	5"	5"	5/8"	5"	5"	3/8"
RP-1500-S	1-1/2"	2-1/8" to 2-1/4"	1-3/4"	5"	5/8"	5"	5"	3/8"
RP-1500-L	1-1/2"	2-1/8"	5"	5"	5/8"	5"	5"	3/8"