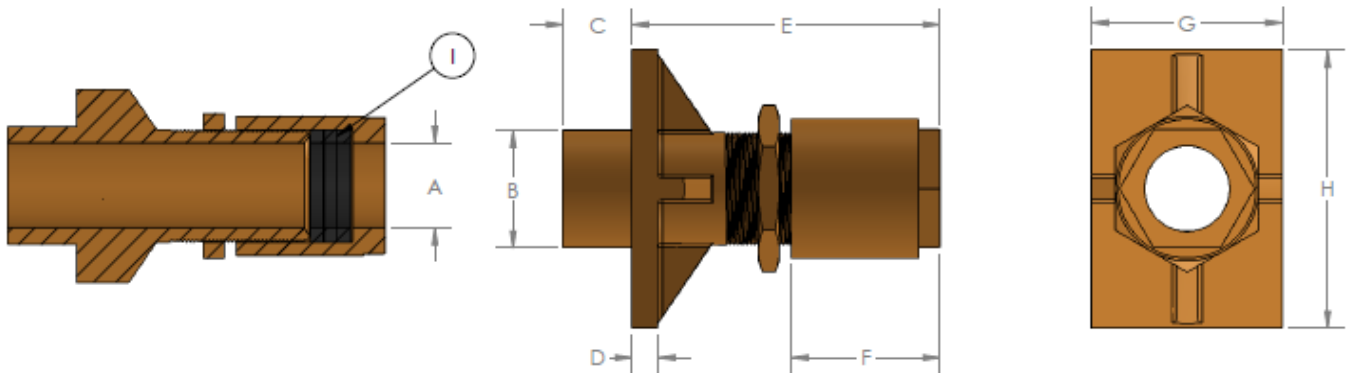


INSIDE STUFFING BOXES | SB SERIES



Premium Quality - Heavy duty cast bronze stuffing box with precision machined threads. Engineered to meet the rigorous demands of both commercial and recreational mariners who prefer a traditional shaft sealing solution. Reinforced mounting flange can be cut to size to fit a variety of applications. Refer to sizing guide below to determine correct part #.



PART SELECTOR | SIZING GUIDE

Part Number	A Shaft Diameter	B Pilot Diameter	C Pilot Length	D Flange Thickness	E Exposed Length	F Nut Length	G Flange Width	H Flange Length	I Packing Size
SB-1000	1"	<i>Call for specs and availability</i>							
SB-1250	1-1/4"	2"	1-1/4"	1/2"	5-3/4"	3"	4-1/2"	6"	3/8"
SB-1375	1-3/8"	2-1/8"	1-1/4"	1/2"	5-3/4"	3"	4-1/2"	6"	3/8"
SB-1500	1-1/2"	2-1/8"	1-1/4"	1/2"	5-3/4"	3"	4-1/2"	6"	3/8"
SB-1750	1-3/4"	2-1/2"	1-3/4"	5/8"	6-1/4"	3-1/2"	4-1/2"	6-1/2"	1/2"
SB-2000	2"	2-3/4"	1-3/4"	5/8"	6-1/4"	3-1/2"	4-3/8"	6-1/2"	3/8"
SB-2250	2-1/4"	3-1/4"	1-3/4"	5/8"	7"	4-1/4"	4-3/4"	8-7/8"	1/2"
SB-2500	2-1/2"	3-1/4"	1-3/4"	5/8"	7"	4-1/4"	4-3/4"	8-7/8"	3/8"
SB-2750	2-3/4"	<i>Call for specs and availability</i>							
SB-3000	3"	<i>Call for specs and availability</i>							