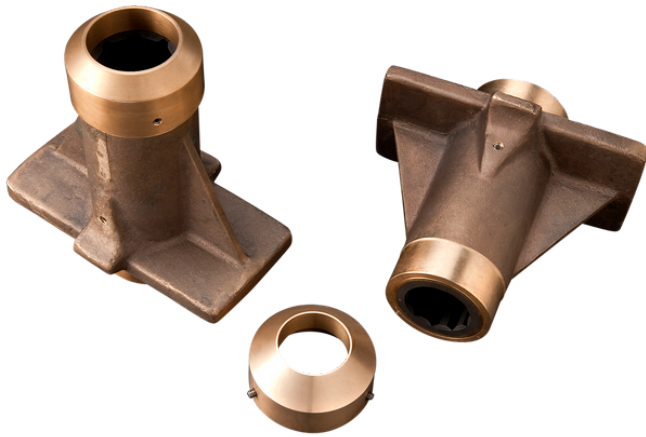
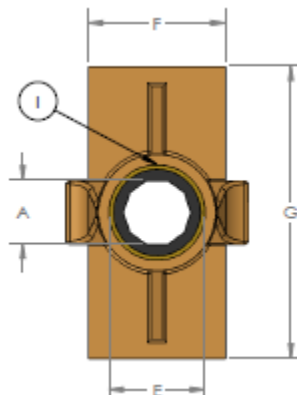
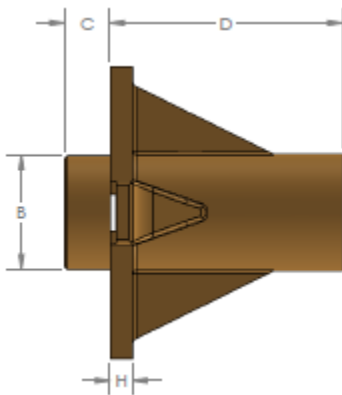


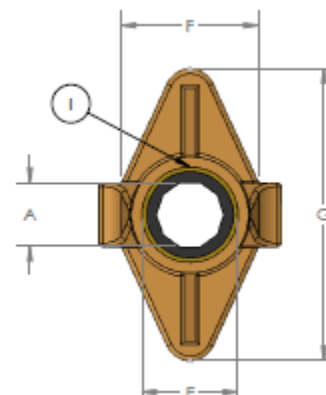
STERN BEARING HOUSINGS | SSB SERIES



Stern Bearings - Our industry leading **SSB Series** stern bearing housings are featured as OEM equipment by many of the world's finest boat builders. Robust housings fitted with *Duramax (Johnson) Cutless® Bearings* ensure years of trouble free operation whether in today's higher horsepower commercial vessels or in a vintage wooden sailboat. Compatible with our exclusive **RS Series** rope shields (shown at left).



REGULAR FLANGE



OVAL FLANGE



PART SELECTOR | SIZING GUIDE

Part Number	A Shaft Diameter	B Pilot Diameter	C Pilot Length	D Exposed Length	E Bearing O.D.	F Flange Width	G Flange Length	H Flange Thickness	I Bearing Code
SSB-1375	1-3/8"	2-7/8"	1-1/8"	6-7/8"	2"	3-3/8"	6-7/8"	3/4"	Bold
SSB-1500	1-1/2"	2-7/8"	1-1/8"	6-7/8"	2"	3-3/8"	6-7/8"	3/4"	Boss
SSB-1750	1-3/4"	3-1/8"	1-1/4"	6-3/8"	2-5/8"	3-7/8"	7-7/8"	5/8"	Buck
SSB-2000	2"	3-1/8"	1-1/4"	6-3/8"	2-5/8"	3-7/8"	7-7/8"	5/8"	Call
SSB-2000-HD	2"	3-3/4"	1-5/8"	6-3/8"	3"	4-1/2"	11-1/4"	5/8"	Calm
SSB-2250	2-1/4"	3-3/4"	1-5/8"	8-3/8"	3-1/8"	4-1/2"	9-1/8"	5/8"	Cart
SSB-2500	2-1/2"	3-3/4"	1-5/8"	8-3/8"	3-1/8"	4-1/2"	9-1/8"	5/8"	Cord
SSB-2750	2-3/4"	4"	2-3/8"	7-7/8" to 11"	3-3/8"	5-5/8"	11-1/4"	3/4"	Crow
SSB-3000	3"	4-3/4"	3-1/2"	9-7/8"	4"	7"	14"	3/4"	Dare
SSB-3500	3-1/2"	<i>Call for specs and availability</i>							
SSB-1000-OV	1"	2-3/8"	1-1/8"	5-1/2"	2"	3-5/8"	6-1/4"	1/2"	Base
SSB-1125-OV	1-1/8"	2-3/8"	1-1/8"	5-1/2"	2"	3-5/8"	6-1/4"	1/2"	Bill
SSB-1250-OV	1-1/4"	2-3/8"	1-1/8"	5-1/2"	2"	3-5/8"	6-1/4"	1/2"	Bite
SSB-1375-OV	1-3/8"	2-3/8"	1-1/8"	5-1/2"	2"	3-5/8"	6-1/4"	1/2"	Bold
SSB-1500-OV	1-1/2"	2-3/8"	1-1/8"	5-1/2"	2"	3-5/8"	6-1/4"	1/2"	Bass