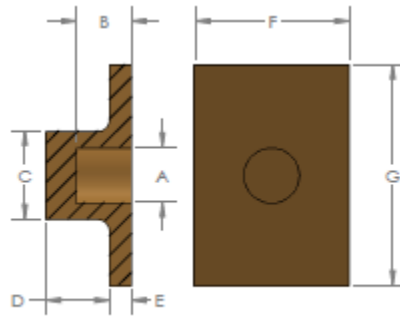


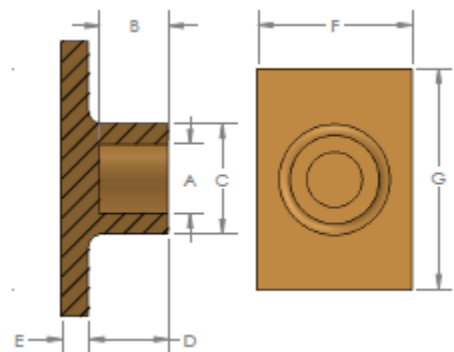
RUDDER SKEG BEARINGS | SK SERIES



Skeg Bearings - Our heavy duty rudder post skeg bearings (rudder steps) are engineered to withstand the demands of today's higher horsepower commercial vessels. Available in both "inverted" and "regular" configurations as well as "bored through" to fit a variety of applications. Give us a call with any special sizing requests.



Regular Skeg



Inverted Skeg

PART SELECTOR | SIZING GUIDE

Part Number	A Shaft Diameter	B Shaft Depth	C Body Diameter	D Body Depth	E Flange Thickness	F Flange Width	G Flange Length
Regular							
SK-1250	1-1/4"	1"	2-1/4"	1"	5/16"	2-7/8"	3-7/8"
SK-1500	1-1/2"	1-1/2"	2"	1-1/2"	1/2"	3-1/2"	5"
SK-1750	1-3/4"	1-3/4"	2-9/16"	1-5/8"	5/8"	3-5/8"	5-1/8"
SK-2000	2"	1-3/4"	2-9/16"	1-5/8"	5/8"	3-5/8"	5-1/8"
SK-2250	2-1/4"	2-1/2"	3"	2-1/2"	5/8"	5-3/4"	5-3/4"
SK-2500	2-1/2"	2-1/2"	3"	2-1/2"	5/8"	5-3/4"	5-3/4"
SK-2750	2-3/4"	<i>Call for specs and availability</i>					
SK-3000	3"	<i>Call for specs and availability</i>					
Inverted							
SK-1250-I	1-1/4"	1"	2-1/4"	1"	5/16"	2-7/8"	3-7/8"
SK-1250-HD	1-1/4"	1-1/4"	2"	1-7/16"	1/2"	3-1/2"	5"
SK-1500-I	1-1/2"	1-1/2"	2"	1-1/2"	1/2"	3-1/2"	5"
SK-1750	1-3/4"	1-3/4"	2-9/16"	1-5/8"	5/8"	3-5/8"	5-1/8"
SK-2000	2"	1-3/4"	2-7/8"	1-7/8"	5/8"	3-5/8"	4-7/16"
SK-2250	2-1/4"	<i>Call for specs and availability</i>					
SK2500	2-1/2"	<i>Call for specs and availability</i>					
SK-2750	2-3/4"	<i>Call for specs and availability</i>					